

# Installation Instructions

## Thank You

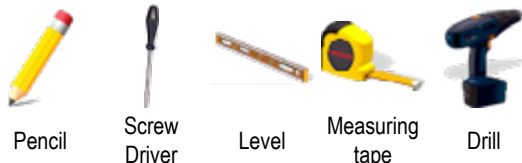


Thank you for choosing Genesis Custom Window Shades.  
With proper installation and care, your new shades will provide many years of beauty and performance.

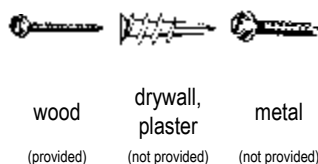
## Before Installing

Remove shade from the package. Keep all packaging until shade operates to your satisfaction. Contents of your hardware package may vary depending on options chosen. Additional fasteners may be needed on your specific mounting surface.

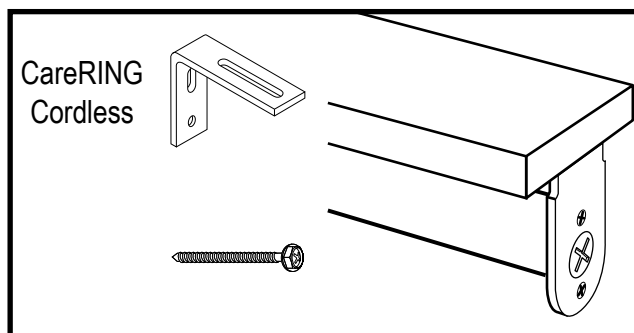
### Tools



### Fasteners



## Your Shade

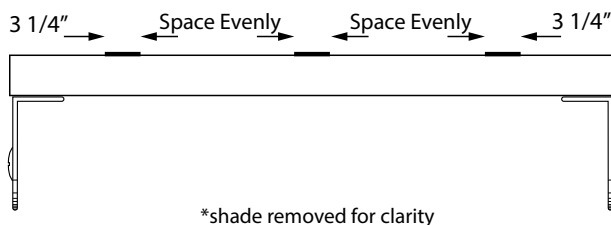


## Step 1 Space Brackets in Window

For **Inside Mount** installations, no brackets are necessary.  
3" screws are provided to secure shade directly to window opening, but they should still be spaced evenly across the board

For **Outside Mount** installations, brackets are necessary.  
1 1/2" screws are provided to secure the bracket to the wall and  
3/4" screws are provided to secure the bracket to the board

Measure 3 1/4" in from each end of the headrail and mark the bracket location on the mounting surface. Space additional brackets evenly between the end brackets.



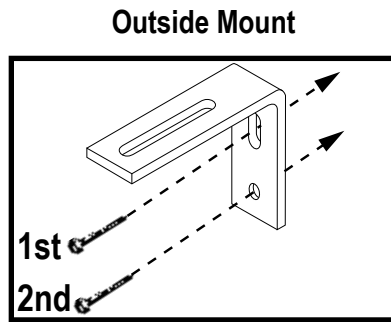
\*shade removed for clarity

Shade Width	Brackets Required
16" - 36"	2
36 1/16" - 72"	3
72 1/16" - 84"	4

Use a Level to make sure the mounting surface is level

## Step 2 Install Brackets

Once bracket locations are marked on the mounting surface begin installing the brackets



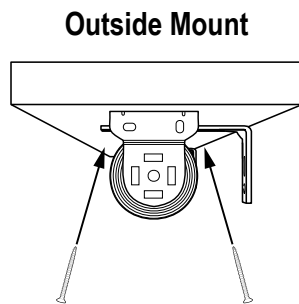
Begin installing the brackets by using the elongated hole first in case any adjustments must be made.

The brackets **must be level** to ensure proper operation of the shade.

Once the brackets are properly aligned use the second, round hole on the bracket to secure to mounting surface

## Step 3 Install Board

Once bracket locations are marked on the mounting surface begin installing the brackets

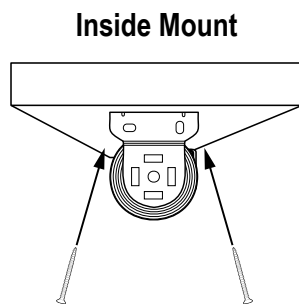


Place board on top of mounted brackets

Adjust shade side to side for optimal window coverage

Place 3/4" screw up from the bottom of the board and into the slotted channel on bracket

Pick one side or other of the roller to screw into  
Angle the screw to clear the roller if necessary



Space screws the same way brackets would be spaced. 3 1/4" in from the ends and evenly space the rest needed given your opening width and mark where holes are needed

Pre-drill with a 1/8" drill bit

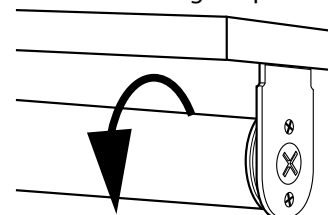
Run screws vertically through board into mounting surface

Pick one side or other of the roller to screw into  
Angle the screw to clear the roller if necessary

To fully lower the shade, gently pull the CareRING 1-2" beyond shade length

**WARNING:** Do NOT over pull the CareRING. This will pull the cord off of the tube causing the product to fail.

Should this happen, reach behind the tube attached to the headboard and rotate the tube towards you from top to bottom. This will re-engage the spring.



\*valance and hardware removed for clarity