

Installation Instructions

EZ Lift Cordless Standard and Cassette



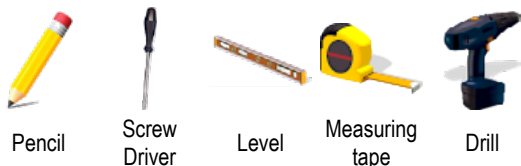
Thank You

Thank you for choosing Genesis Custom Window Shades.
With proper installation and care, your new shades will provide many years of beauty and performance.

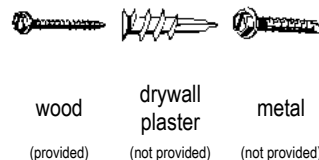
Before Installing

Remove shade from the package. Keep all packaging until shade operates to your satisfaction.
Contents of your hardware package may vary depending on options chosen.
Additional fasteners may be needed on your specific mounting surface.

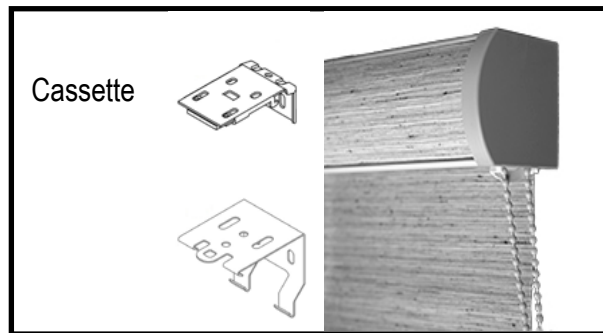
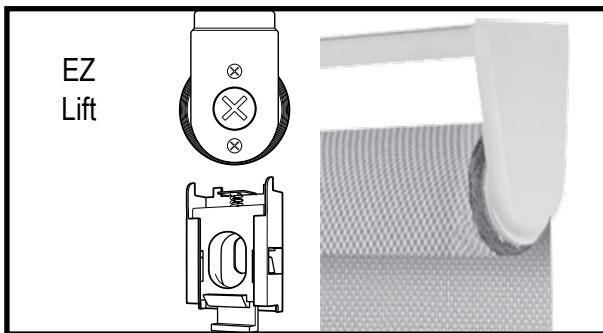
Tools



Fasteners



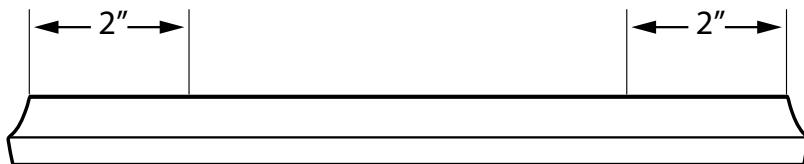
Your Shade



For Cassette Option, please refer to Cassette Installation Instructions

Step 1 Space Brackets in Window

Measure 2" in from each end of the headrail and mark the bracket location on the mounting surface. Space additional brackets evenly between the end brackets.



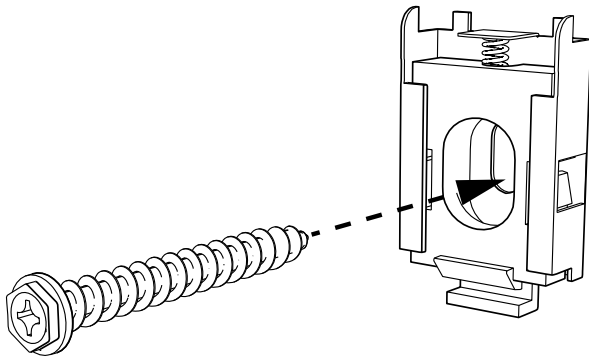
Shade Width	Brackets Required
26 1/8" - 48"	2
48 1/16" - 79"	3
79 1/16" - 96"	4

EZ Lift Installation Instructions

Step 2 Install the Brackets

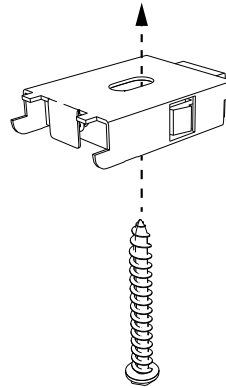
Use screws (and appropriate fasteners if needed) to attach each installation bracket to the top of the window. Brackets **must** be level and aligned.

Outside Mount



NOTE: Brackets must be installed with the metal hooks facing straight up

Inside Mount

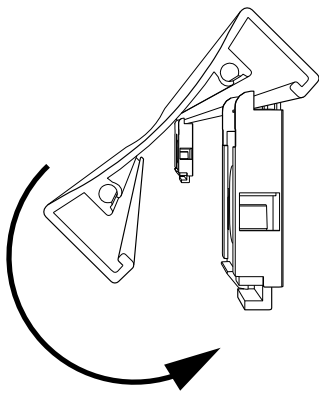


NOTE: Brackets must be installed with the metal hooks facing out

Step 3 Mount the Headrail

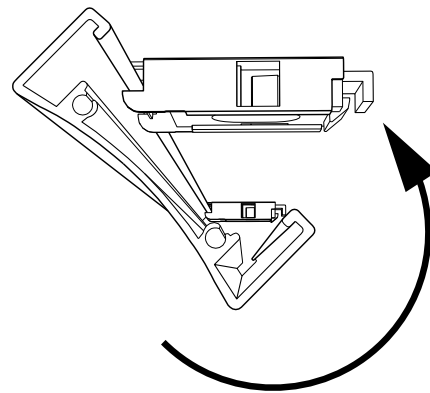
Angle the Headrail at 45 degrees and align top back edge on the Metal hooks on the Bracket

Outside Mount



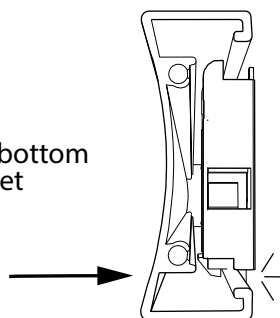
Rotate Headrail down onto spring loaded clip in Bracket

Inside Mount



Rotate Headrail up onto spring loaded clip in Bracket

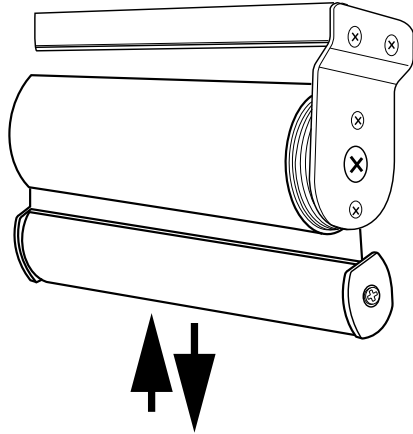
Make sure the Headrail clicks into the bottom Spring Loaded Clip on the Bracket



EZ Lift Installation Instructions

Step 4 Operate the Shade

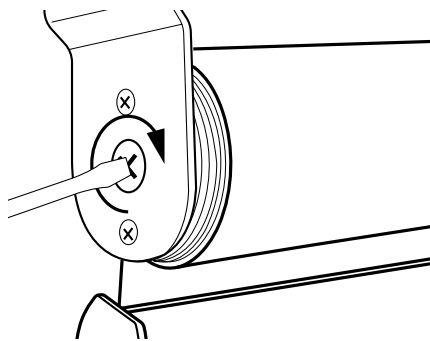
Check Shade for proper operation. If shade Skews left or right (does not roll up straight), check that the headrail is level.
If headrail is level and the shade still skews, it may require shimming.



NOTE: The tension is set at the factory. If the tension needs to be adjusted follow steps below.

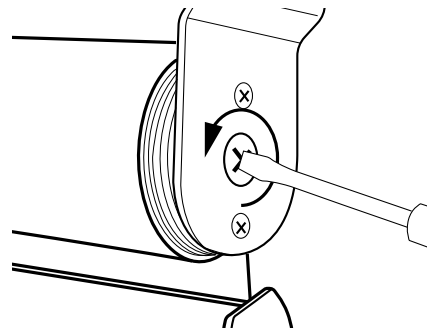
Adjust Tension

Remove any Bracket Covers and locate Control Side



If control side is on the left, the tension is set Counter Clockwise

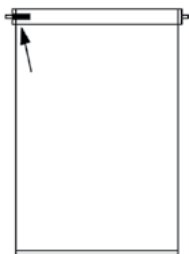
Start with a Quarter Turn and then raise and lower to check tension until proper tension is achieved



If control side is on the right, the tension is set Clockwise

Start with a Quarter Turn and then raise and lower to check tension until proper tension is achieved

Shimming



If shade veers toward the right (Fig. A)

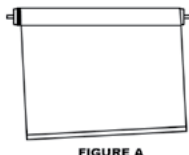


FIGURE A

Lower the shade completely and place a 4" strip of masking tape on the roller on the left side. Repeat as necessary until a straight roll is achieved.

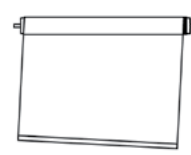
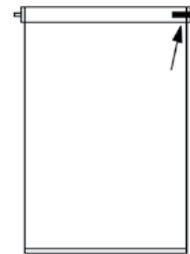


FIGURE B

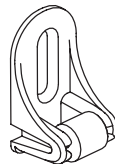
If shade veers toward the left (Fig. B)



Lower the shade completely and place a 4" strip of masking tape on the roller on the right side. Repeat as necessary until a straight roll is achieved.

Install Hold Downs

Hold Downs



See Hold-Down installation instructions