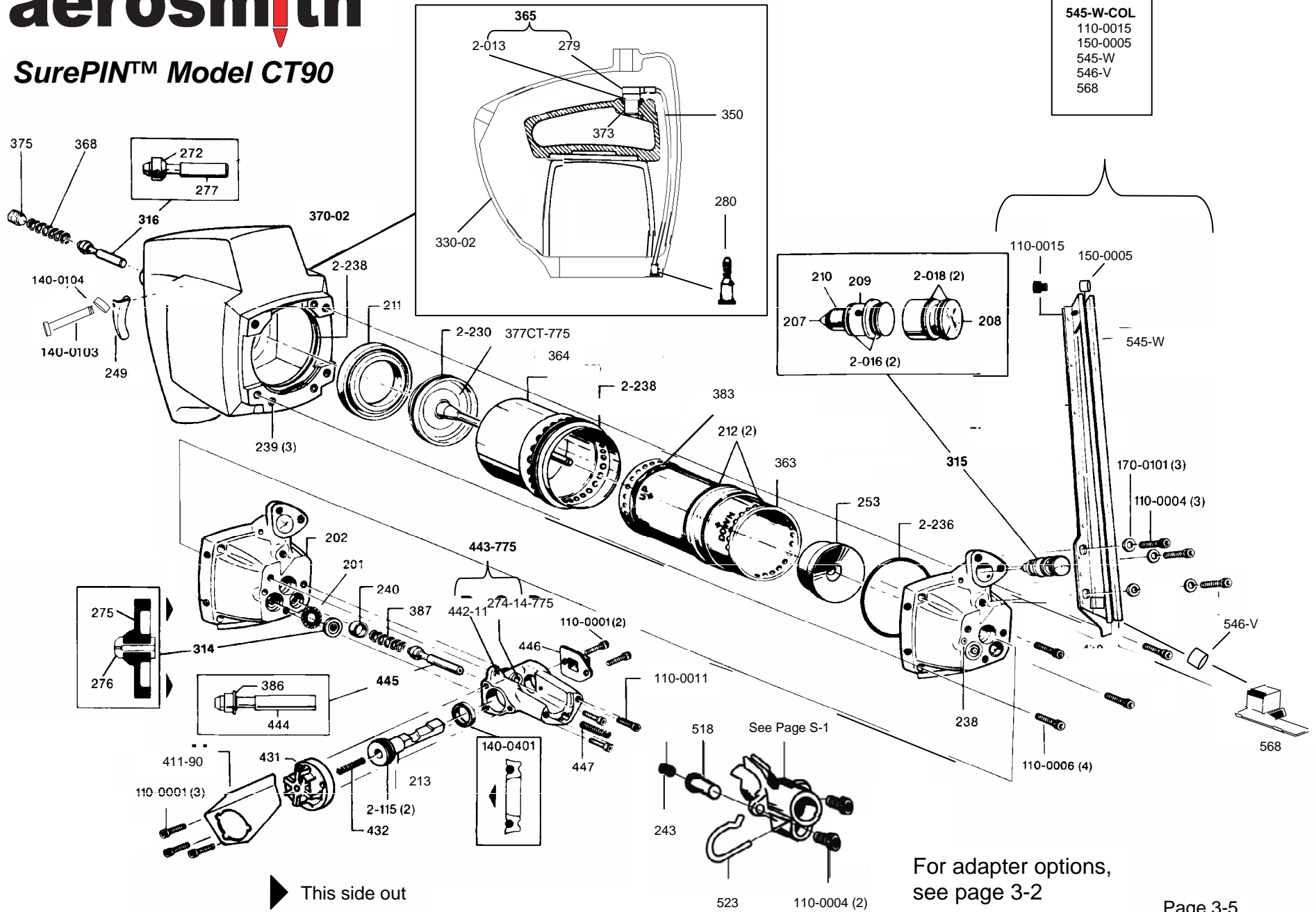
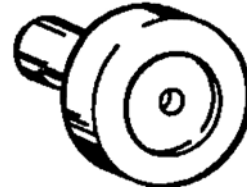


SurePIN™ Model CT90

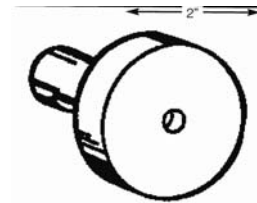


Adapter Accessories

494 Standard for .144 Pin, Flush

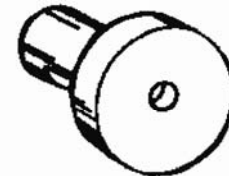


494-1 For .144 Pin, Countersink
(1 pin head thickness)



494-2 For .144 Pin, Countersink
(2 pin head thickness)

495-1 For .144 Pin, Countersink
(1 pin head thickness)



495-2 For .144 Pin, Countersink
(2 pin head thickness)

← 1 5/16" →

494-M10 For .144 Pin, Magnetic Adapter
For WF50 washer



574 For .144 Pin
CA Guidance, Steel to Steel, where guidance is required.



629P For .144 Pin
Steel to Steel, guidance required, narrow profile

