

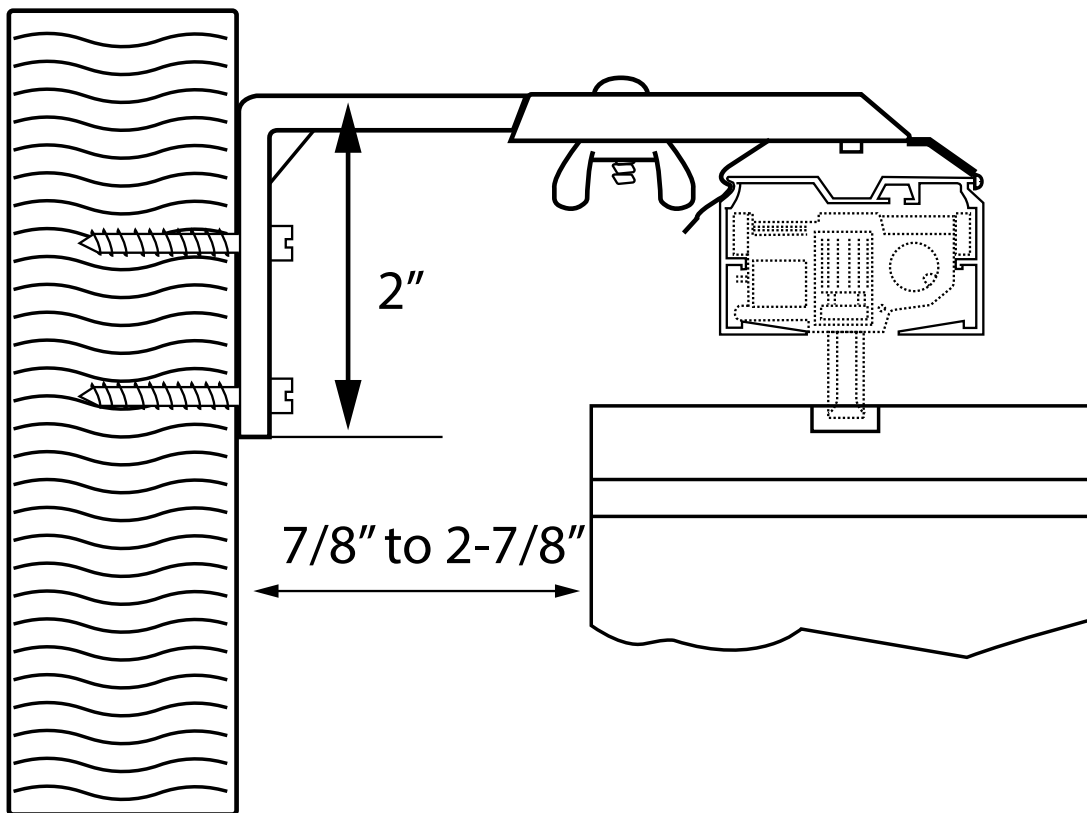


## Installation Instructions

- [Decomatic](#)
- [Panogram](#)

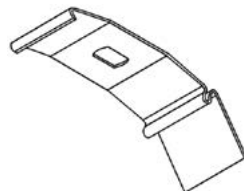
\*Click [BACK](#) on any page to return to the Table of Contents\*

## Installation Instructions Discoveries Decomatic Headrail



98282

Wall Bracket Standard Adjustable



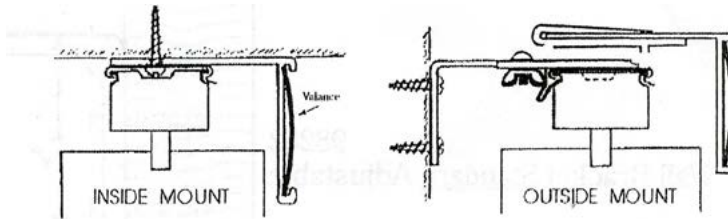
98286

Ceiling Clip

# Dust Cover Valance

## Inside Mount

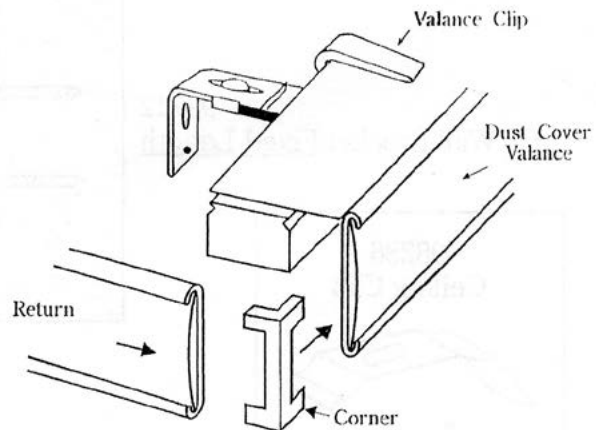
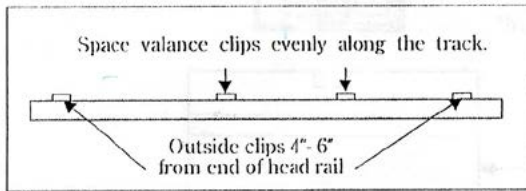
With inside or ceiling mount, simply install the ceiling clip and mounting screw through the valance as shown. Assemble corners and returns as shown. The returns may need trimmed to size with heavy duty scissors. Make sure the vane doesn't hit the inside face of the valance when rotating.



## Outside Mount

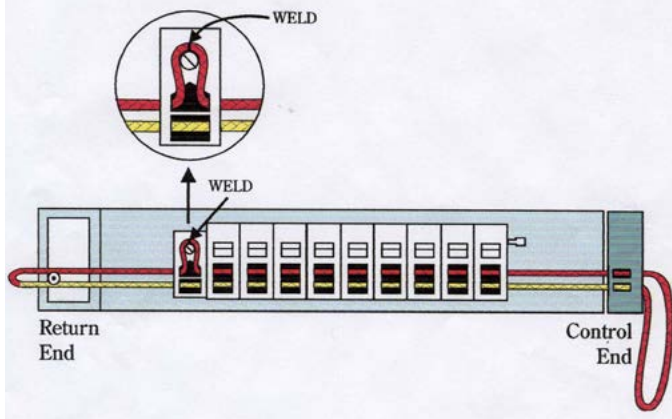
Mount head rail, snap the valance clips onto the head rail. Insert the dust cover top into the valance clips, assemble corners and returns as shown. The returns may need trimmed to size with heavy duty scissors.

Placement of Valance Clips and Bracket Spacing



### ONE-WAY DRAW UNITS - CORDING DIRECTIONS

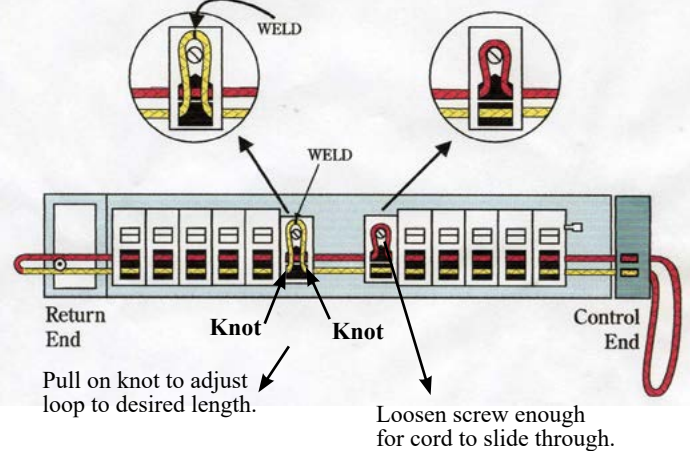
Heat two ends together and fasten to lead carrier.



### SPLIT DRAW TRACK - CORDING DIRECTIONS

Heat two ends together and fasten to lead carrier.

Loop upper cord around screw, adjust and tighten.



## Control Chain:

- One full cycle of the control chain (13-1/2") will self align the vanes and stoms if out of sync.



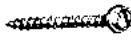
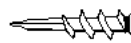
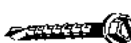
## Panogram™ Installation & Operating Instructions

Thank you for choosing Discoveries Vertical Blinds. With proper installation and care, your new vertical blinds will provide many years of beauty and performance.

### Tools and Fasteners Needed

Power Drill, 1/4" Driver and drill bits  
Tape Measure  
Flat blade Screwdriver  
Phillips Screwdriver  
Pencil  
Level



Mounting Surface	Fastener
Wood	#6 Hex Head Provided 
Drywall, Plaster	Wall Anchors Not Provided 
Metal	Sheet Metal Not Provided 

### Before Installing

Remove blind from the package. Keep all packaging until the blind operates to your satisfaction.

- Contents of your hardware package may vary depending on options chosen.
- Additional fasteners may be needed based on your specific mounting surface.

Blind Width	Supports Required
Up to 72"	0
72 1/16" - 96"	1
96 1/16" - 144"	2

### STEP ONE: TRACK INSTALLATION

Vertical blinds are constructed to be hung as either an inside mount or an outside mount. The installation hardware can be mounted inside the window opening, for an inside mount, or on the molding or wall above the window for an outside mount. When mounting installation brackets, make sure they are in line and level. Shim the brackets if necessary to achieve a level alignment.

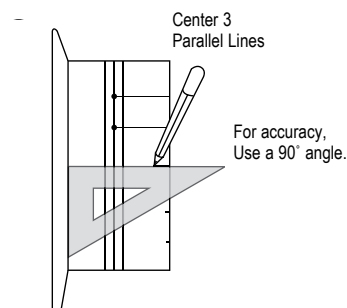
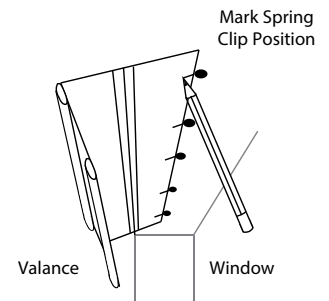
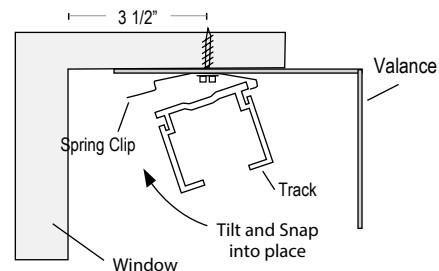
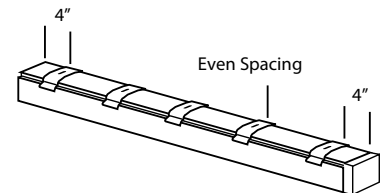
#### Inside (Ceiling) Mount

When mounting sheer vertical blinds, the end spring clips should be spaced 4" in from the end of the track, with any additional spring clips spaced evenly between the end clips.

There must be a 3 1/2" minimum space between the hole in the spring clip and the window, or any other obstructions such as window handles, locks, etc. This space allowance is necessary for the vanes to rotate properly.

When using a valance, the window opening must have a depth of 5" to achieve a flush mount. Hold the valance in the window frame so that the front of the valance is aligned with the window opening. Position spring clips 4" in from the edge of the window frame on either side, marking the spring clip positions onto the valance.

Drill holes through the top of the valance (dustcap) at the points where the spring clip positions meet the center parallel groove. Secure spring clips and valance to the top of the window frame with the screws provided. If necessary, track may be removed later by pushing up on the release tab at the back of the spring clips.



## Outside (Wall) Mount

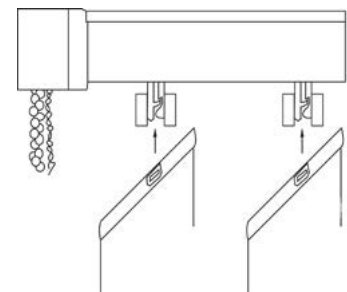
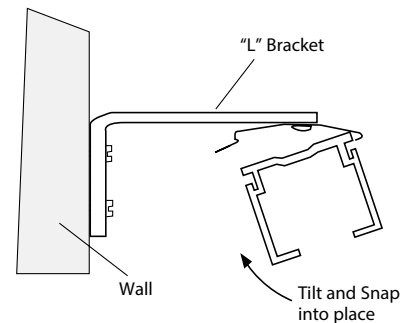
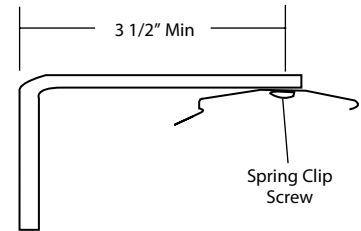
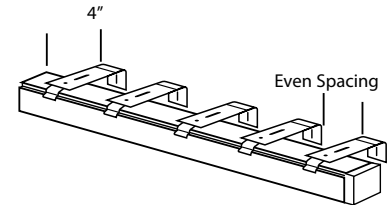
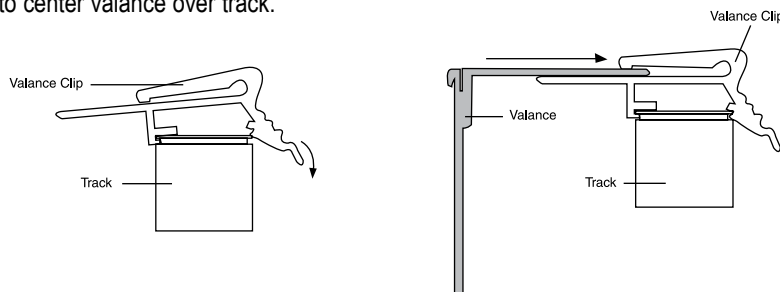
Measure up from the floor using the blind length plus 1/2" for floor clearance. The end L bracket should be spaced 4" in from the end of the track, with any additional brackets spaced evenly between the end brackets.

Before mounting L brackets, slide the bracket adjusters so that the distance from the back of each bracket to the spring clip screw meets or exceeds 3 1/2". There must be a 3 1/2" minimum space between the hole in the spring clip and the back of the L bracket; this space allowance is necessary for the vanes to rotate properly. Adjust all L-shaped mounting brackets to the position chosen.

Before mounting L brackets, slide the bracket adjusters so that the distance from the back of each bracket to the spring clip screw meets or exceeds 3 1/2". There must be a 3 1/2" minimum space between the hole in the spring clip and the back of the L bracket; this space allowance is necessary for the vanes to rotate properly. Adjust all L-shaped mounting brackets to the position chosen.

After all adjustments are made, mount the L brackets in place. Be sure that L brackets are mounted in-line and level. Center track underneath spring clips, tilt, and snap into place.

If a valance is used with an outside mount, attach the provided valance clips to the track. Secure the valance in place by sliding the upper portion (dust cap) into the valance clips. Be sure to center valance over track.



## STEP TWO: INSTALLING THE VANES

Vertical vanes are hung by pushing each vane upward to lock in place between the fingers of the corresponding carrier.

Rotate the chain so that the carriers are in the open position. Install vanes as shown, pushing gently between the fingers of the carriers.

## STEP THREE: CORD TENSIONER INSTALLATION

**Warning:** The cord tensioner must be properly installed for the pulley to rotate and for the cords to be kept taut. Proper installation will help reduce the chance of accidental strangulation by making the cords less accessible to young children.

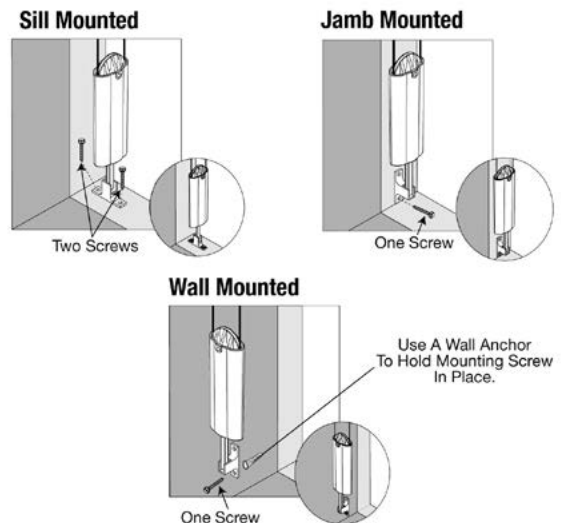
### Cord Length & Cord Tensioning

Determine mounting location. If cord adjustment is required, refer to step 4.

Fully extend the cord tensioning device, rotate the body 45 degrees and lock it into this extended position.

Position the cord tensioning device at the mounting location.

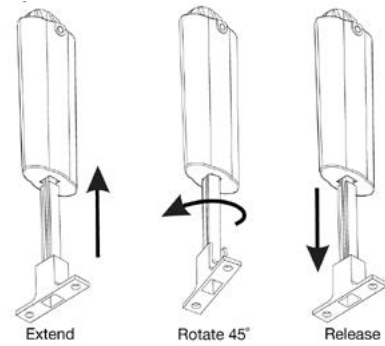
Hold the cord taut with the cord tensioning device in the extended position and mount the base.



[BACK](#)

Release the tension by rotating the base 45 degrees relative to body.

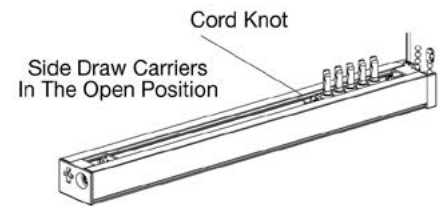
NOTE: Cord tensioning applies only if the blind is ordered with a chain and cord control system.



#### STEP FOUR: CORD ADJUSTMENT

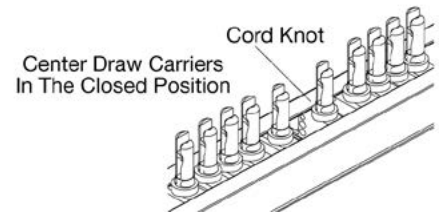
##### To reduce cord length on a Side Draw Blind:

- Release the tension on the cord with the cord tensioner.
- Place the blind in the open position.
- Locate the cord knot in the front of the lead carrier.
- Pull the cord to the desired length.
- Tie a double knot.
- Reset the cord tension with the cord tensioner.
- Test for proper cord tension.
- Cut the excess cord.



##### To reduce cord length on Center Draw Blinds:

- Release the tension on the cord with the cord tensioner.
- Place the blind in the closed position.
- Locate the cord ends in the front of the lead carrier.
- Select the cord knot that adjusts the cord length only; if carrier movement is observed, select the other cord.
- CAUTION:** Cutting the wrong cord will cause irreparable damage.
- Pull the cord to the desired length.
- Tie a double knot.
- Reset the tension with the cord tensioner.
- Test for proper cord tension.
- Cut the excess cord.



#### STEP FIVE: OPERATING THE TRACK

Pull on the tilt chain to rotate the vanes. Always rotate vanes to open position before traversing open or closed. Pull the draw cord to traverse the vanes. Draw cord slowly and smoothly to allow vanes to come to rest quickly and to ensure that they remain in the correct overlap position.

#### STEP SIX: CARE AND CLEANING

Simply follow these instructions for proper cleaning and care:  
The vertical blind track can be lubricated annually with a light spray of a silicone-based lubricant. Please DO NOT use petroleum-based lubricants.