

Cellular Shades

parasol® FR Cellular Shades



Parasol FR Cellular Shade fabrics meet all requirements of NFPA 701 small scale flammability testing for commercial applications. There are three fabric types - 3/4" semi opaque, 3/4" opaque and 3/8" semi-opaque. Each fabric type has four colors available - Dune, Marble, Snow and Soft White.

Energy efficient cells are constructed of a permanent flame-resistant textured, non-woven polyester formed into opaque 3/4" and 3/8" hexagonal cells in stacked tubular construction. Each cell is an independent piece of fabric and contains a metallized polyester film core.

Cordless Accu-Rise® (3/4" fabrics only) or clutch operated Continuum™ Continuous Cord Loop System both provide a child safe option. Motorization is the ultimate child safety choice. A fabric covered headrail is standard and conceals the white headrail color.

A variety of shade types are available including Top Down/Bottom Up on Continuum or Accu-Rise or Two Shades on One Headrail for Continuum or Cordlock shades. Other options include: Specialty Shapes, Glissade Vertical Cellular Shades (3/4" only) and Skylight shades.

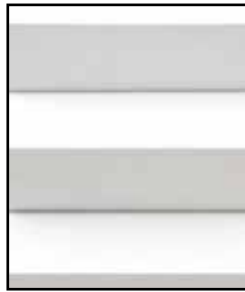
Parasol FR Cellular Shades are GREENGUARD Gold Certified and have a Lifetime Limited Warranty.



Semi-Opaque



**3/8" Cell and 3/4" Cell
Cell comparison**



Snow
3/8" Cell - P97-1159
3/4" Cell - P98-1159



Soft White
3/8" Cell - P97-1651
3/4" Cell - P98-1651



Marble
3/8" Cell - P97-1359
3/4" Cell - P98-1359



Dune
3/8" Cell - P97-1709
3/4" Cell - P98-1709

Opaque



Snow
3/4" Cell - P99-1159



Soft White
3/4" Cell - P99-1651



Marble
3/4" Cell - P99-1359



Dune
3/4" Cell - P99-1709

Product Features

- Energy-efficient cellular design
- Fabric covered headrail
- NFPA 701 FR Rated

Test results are located in the Materials Library at www.lafvb.com

- GREENGUARD Gold Certified
- UV Protection - 99% for all fabrics
- 3/4" Semi-Opaque Cell - 4 colors
- 3/8" Semi-Opaque Cell - 4 colors
- 3/4" Opaque Cell - 4 colors

- Color coordinated headrail, bottom rail and end caps
- Color coordinated cord loop for Continuum system
- Color coordinated lift cords for Cord Lock system
- Lifetime Limited Warranty

For actual sample swatches,
contact our Contract Department.

Options

- Accu-Rise Cordless Lift System (clear handle)
- Top-Down or Top-Down/Bottom-Up
- Multiple Blinds on One Headrail
- Assure Cordless System
- Glissade Vertical Cellular (3/4")
- Specialty Shapes
- Skylight Systems
- Motorization - Auto-Lift Battery Operated
- Motorization - Somfy IR/RF Hardwired

Sound Absorption

3/4" Semi-Opaque	0.35
3/4" Opaque	0.35
3/8" Semi-Opaque	0.20

Sound Absorption: Higher number means the product has greater absorption. Scale ranges from 0.0 (none) to 1.0 (all).



Dimensional Guidelines

Continuum Continuous Cord Loop System

Width

Minimum 12"
 Maximum..... 174"

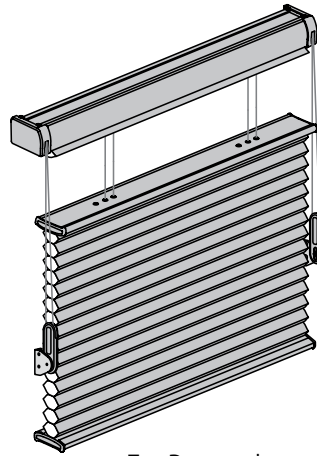
Height

Minimum 24"
 Maximum:

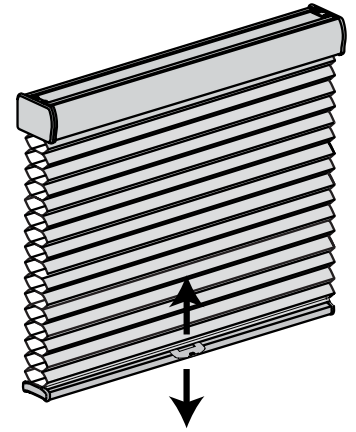
3/4" Semi-Opaque..... 144"
 3/4" Opaque..... 144"
 3/8" Semi-Opaque..... 138"

Maximum Area

3/4" Semi-Opaque 150 sq ft
 3/4" Opaque..... 120 sq ft
 3/8" Semi-Opaque 130 sq ft

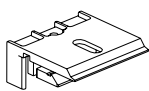
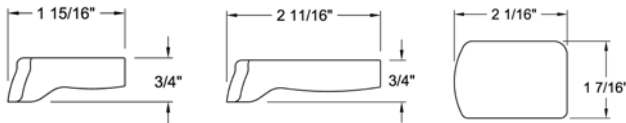


Top-Down and
 Top-Down/Bottom-Up Shade

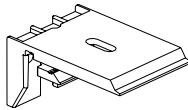


Accu-Rise Shade

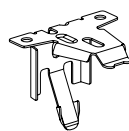
Headrail and Brackets



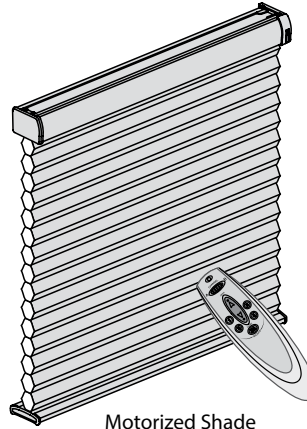
3/8" Cord Lock



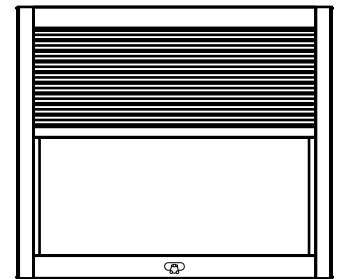
3/4" Cord Lock



3/4" and 3/8" Continuum
 3/4" and 3/8" Accu-Rise Cordless



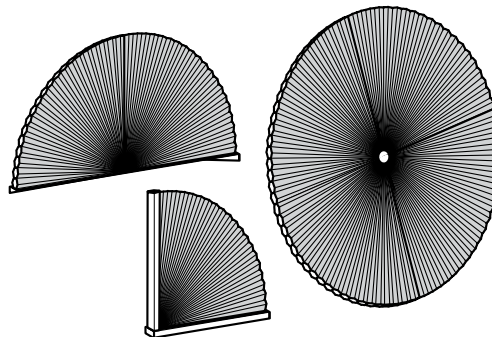
Motorized Shade



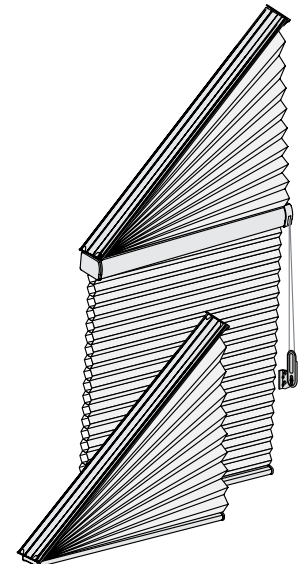
Skylite Shade



Left Stack Right Stack
 Glissade Vertical Cellular



Arches and Circles



Angle Top and Angled Shades

Motorization is available.
 See Motorization Overview.



Hardwired Systems

Somfy Sonesse® 30 RTS

- Available with standard rectangular window application (operate from bottom up)
- Headrail is 2.5" high and 2.5" deep.
Headrail color: White
- Includes a 24V DC Transformer with a 15 ft cord
- Motor can be located left or right side of shade
- Motor will include 7 1/2" wire
- Size Standards:
 - Minimum width 22",
if two motors are used, minimum is 44".
 - Maximum width 120".
 - Maximum height: 120".
 - Minimum height: 20".
- Additional Options:
 - Sonesse 30 DCT
 - Sonesse 30 RS485
 - Power: 24V DC Power and Distributuion Panel
(Large Applications)
- Controls: Single and multi-channel Remotes;
Wall Switches; Sun Sensor: Home Automation,
MyLink app
- Exclusions:
 - Top-Down/Bottom-Up
 - Top-Down
 - Duo-Lucent

Battery Operated Systems

Auto-Tilt

- Available with standard Bottom-Up, Top-Down,
Top-Down/Bottom-Up, 2-On-1 Headrail and Duo-Lucent™
rectangular window shade applications.
- Motor can be left or right side
- Size Standards:
 - Refer to the Parasol Cellular Shades Retail Sales Guide.
- Additional Options:
 - Power
Battery (High mount or Low mount)
DC Transformer
Satellite Battery Wand
- Controls
Hand-Held remote
Wireless Wall Switch
- Exclusions:
 - 2-On-1 Headrail as end mount (EB).
 - 2-On-1 Headrail w/ hold-down brackets.
 - 2-On-1 Headrail w/ Top-Down/Bottom-Up or Duo-Lucent

For further motorization information contact the Lafayette Customer Service Motorization Department.

