

## Custom Window Shades Panel Track

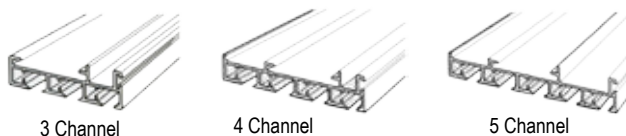
Thank you for choosing Genesis Custom Window Shades. With proper installation and care, your new shades will provide many years of beauty and performance.

### Tools Needed

Power Drill, 5/16" Driver and drill bits  
Tape Measure  
Flat blade Screwdriver  
Phillips Screwdriver  
Pencil  
Level



Shade Width	Brackets Required
Up to - 52 1/4"	2
52 3/16" - 72 1/4"	3
72 5/16" - 104 1/4"	4
104 5/16" - 130 1/4"	5
130 5/16" - 144 1/4"	6
144 5/16" - 182 1/4"	7
182 5/16" - 192"	8



3 Channel

4 Channel

5 Channel

### Installation L Brackets

3 Channel - 4" deep, 2 1/4" high, 1" wide  
Item PT-303

4 Channel - 4 23/32" deep, 2 1/4" high, 1" wide  
Item PT-302

5 Channel - 4 5/8" deep, 2 1/4" high, 1" wide  
Item PT-301



Swivel bracket for Inside Mount  
3 channel, 2 1/4" deep  
Item PT-6519-XXX  
Black 003, White 001, Gray 090




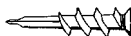

4 or 5 channel, 3 3/8" deep  
Item PT-6520-XXX  
Black 003, White 001, Gray 090



Artisan Profile



Corner Connector

Mounting Surface	Fastener
Wood	#6 Hex Head Provided 
Drywall, Plaster	Wall Anchors Not Provided 
Metal	Sheet Metal Not Provided 

Remove shade from the package. Keep all packaging material until the shade is installed and working to your satisfaction. All bracket mounting screws must screw into wood. If the installation requires mounting the brackets to a surface other than wood, be sure to use the appropriate fastener.

### INSTALL THE BRACKETS

#### Inside Mount

- The swivel brackets must be located 4" in from the ends of the track. For the two and three channel track, you must have a minimum of 1 3/4" of space from the center of the hole in the bracket and window. The four and five channel tracks require a minimum of 2 3/8" space from the center of the hole to the window. Be sure to allow for window cranks or T-handles. The minimum distance will ensure the panels have enough room to open and close.

> Measure 4" in from each end, mark for the bracket and use a level to make sure brackets are in a straight line.

> If more than two brackets are required, evenly space and mark for the rest of the brackets.

> Attach the swivel brackets with the screws provided.  
**Note:** If installing a valance inside the window, you must install the valance before attaching the track to the brackets.

#### Outside Mount

- Locate the position of the headrail over the window and mark the location of the ends on the wall.

- Attach the extension brackets to the wall 4" in from the ends of the headrail, making sure the brackets are level.

- If more than two brackets are required, space evenly and mark for the rest of the brackets.

- Attach the swivel brackets to the extension brackets with the pan head nut and bolt.

- If installing a valance, separate brackets are used.

## INSTALL THE HEADRAIL

- Rotate the swivel brackets to the open position.
- Raise the headrail to the brackets, you may have to adjust the swivels to receive the track.
- Once the headrail is in position, rotate the swivel bracket to the closed position.
- If the headrail requires more than one bracket, starting as close to the center as possible will make the installation easier.

## INSTALL THE PANELS

- Pull forward on the bottom of the front panel carrier and pushing back on the bottom of the back panel carrier, slide the back carrier from behind the front carrier. Repeat this for step for all of the panels on the headrail. (Fig 4)
- Align the velcro strip at the top of the panel with the velcro strip on the face of the panel carrier. Beginning at one end, press the velcro strips together across the panel carrier. (Fig 5)
- Be sure to go back and press the velcro to secure the attachment. (Fig 6) Repeat this step until all the panels are attached to the headrail..
- After all the panels have been installed, return the carriers to their original position. (Fig 7)
- When completed the panels should have overlaps as in (Fig 8).

Fig 4



Fig 5



Fig 6



Fig 7

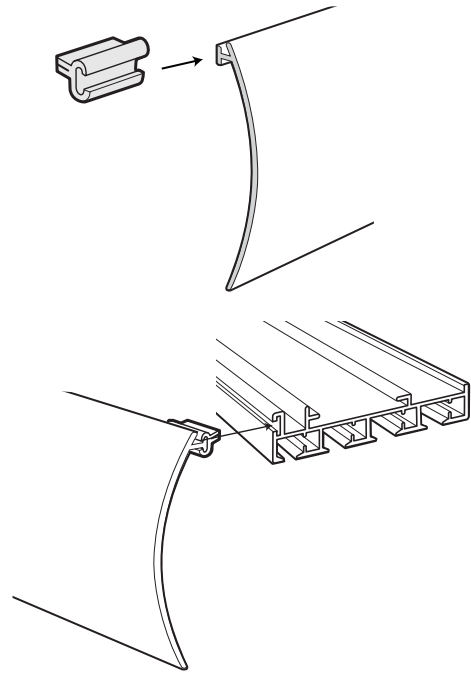


Fig 8



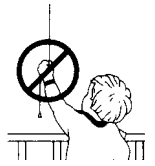
## INSTALL THE ARTISAN VALANCE

- Slide the valance clips onto the ends of the valance.
- Snap the valance onto the front of the rail.



## INSTALL CORD TENSION LOCK

- The revised American National Standard for Safety of Corded Window Covering products requires if corded window products are used in the home, cord cleats or cord tension locks must be properly installed.



- See separate instructions included for installation of the Cord Tension Lock for child and pet safety.

## CARE AND CLEANING

Shade fabrics can be cleaned periodically using a vacuum with a soft bristle attachment. Shade fabrics with fiberglass or PVC can usually be wiped gently with mild detergent. We recommend testing a small area prior to cleaning entire shade. For shade fabric content refer to the Genesis technical specifications found in the Dealer Center under Product Information/Genesis. Pattern Hainje is a paper based material and is not recommended to come in contact with water. Ultrasonic cleaning is not recommended.