

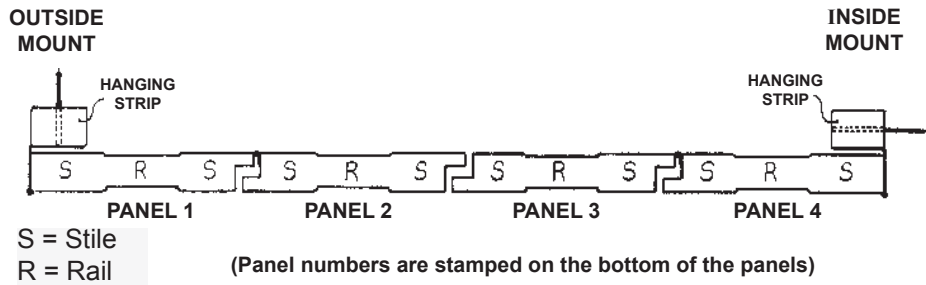


ADJUSTABLE HANGING STRIP TILT ROD AND LOUVERMOVER® INSTALLATION INSTRUCTIONS

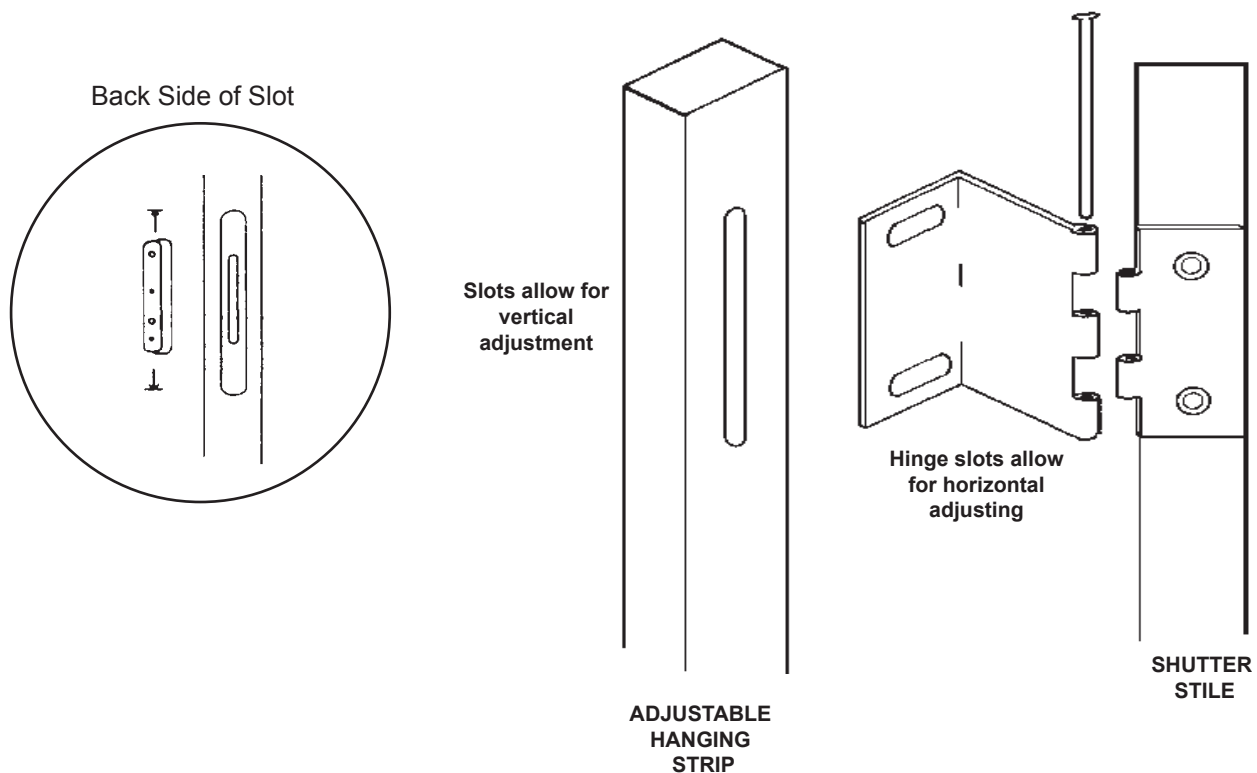
- Determine the relative position of the panels as they will be installed in the opening.

On the bottom of every panel will be the following information. Reading from left to right, window # will be first, panel # will be next, and line # will follow. (Example: 1 1 03 is interpreted to mean window #1 of panel #1 of line #3 of the order.) If shutters are double hung, top section will be stamped with a "T", bottom section will be stamped with a "B".

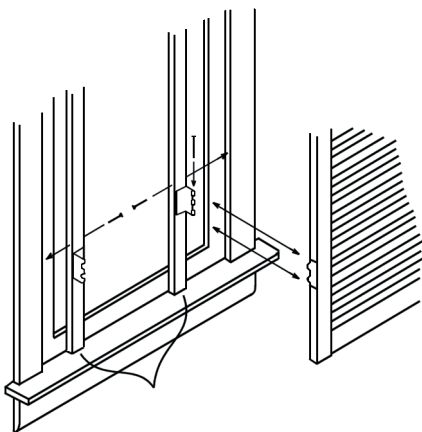
Top Panel View
Standard Rabbeting Pattern
Example: 4 Panel Opening
2 Left Panels & 2 Right Panels



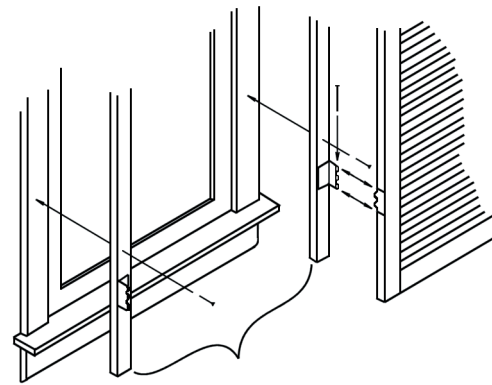
ADJUSTABLE HANGING STRIP INSTALLATION DIAGRAM



2. If it is an inside mount, set the panel and hanging strip assembly into the opening so that the barrel of the hinge projects slightly in front of the opening. Mark the location of the hanging strip.
3. After removing the hinge pins, secure the strip to the window jamb at pre-marked depth. This will assure that the panels may be stacked back against wall if desired. (Strips will not be pre-drilled at factory in order to allow installer options for attachment; IS, OS, hole centering, etc.)
4. While holding the panel in place, insert the hinge pins.
5. Continue to connect the adjoining panels according to numbers on the panels.
6. Follow the same procedure for panels which attach to the other hanging strip. **(If panels hinge to one side only, unrouted strip will be sent at no charge to be used as light stop for other side.)**
7. Close the panels to meet in the center to check fit.
8. If the panels are too tight together or too loose, loosen the adjustable screws slightly and move the panels evenly together or apart. Caution: When making adjustments use hand tools rather than power tools.
9. Once the height adjustment is complete, adjust side to side if necessary. Now tighten the adjusting screws. **Caution:** When making adjustments use hand tools rather than power tools.
Warning: On an outside mount avoid loosening the tension in the screw more than two full turns.
10. Magnets, light stops, and decorative hardware can now be added.



Inside Mount Hanging Strip



Outside Mount Hanging Strip

