

**Semi-Opaque**



**3/8" Cell and 3/4" Cell  
Cell comparison**



**Snow**  
3/8" Cell - P97-1159  
3/4" Cell - P98-1159



**Soft White**  
3/8" Cell - P97-1651  
3/4" Cell - P98-1651



**Marble**  
3/8" Cell - P97-1359  
3/4" Cell - P98-1359



**Dune**  
3/8" Cell - P97-1709  
3/4" Cell - P98-1709

**Opaque**



**Snow**  
3/4" Cell - P99-1159



**Soft White**  
3/4" Cell - P99-1651



**Marble**  
3/4" Cell - P99-1359



**Dune**  
3/4" Cell - P99-1709

**Product Features**

Energy-efficient cellular design

Fabric covered headrail

NFPA 701 FR Rated

Test results are located in the Materials Library at www.lafvb.com

GREENGUARD Gold Certified

UV Protection - 99% for all fabrics

3/4" Semi-Opaque Cell - 4 colors

3/8" Semi-Opaque Cell - 4 colors

3/4" Opaque Cell - 4 colors

Color coordinated headrail, bottom rail and end caps

Color coordinated cord loop for Continuum system

Color coordinated lift cords for Cord Lock system

Lifetime Limited Warranty

For actual sample swatches,  
contact our Contract Department.

**Options**

Accu-Rise Cordless Lift System (clear handle)

Top-Down or Top-Down/Bottom-Up

Multiple Blinds on One Headrail

Assure Cordless System

Glissade Vertical Cellular (3/4")

Specialty Shapes

Skylight Systems

Motorization - Auto-Lift Battery Operated

Motorization - Somfy IR/RF Hardwired

**Sound Absorption**

3/4" Semi-Opaque 0.35

3/4" Opaque 0.35

3/8" Semi-Opaque 0.20

Sound Absorption: Higher number means the product has greater absorption. Scale ranges from 0.0 (none) to 1.0 (all).



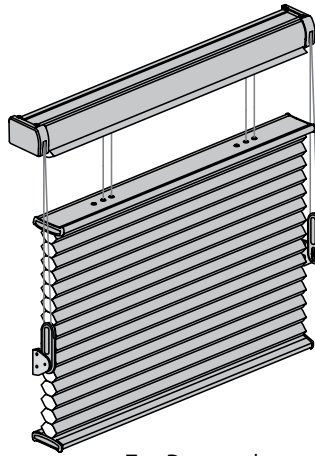
**Dimensional Guidelines**

**Continuum Continuous Cord Loop System**

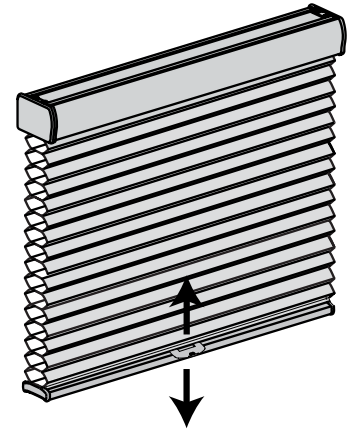
Width  
 Minimum ..... 12"  
 Maximum..... 174"

Height  
 Minimum ..... 24"  
 Maximum:  
 3/4" Semi-Opaque..... 144"  
 3/4" Opaque..... 144"  
 3/8" Semi-Opaque..... 138"

Maximum Area  
 3/4" Semi-Opaque ..... 150 sq ft  
 3/4" Opaque..... 120 sq ft  
 3/8" Semi-Opaque ..... 130 sq ft

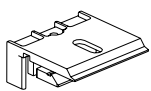
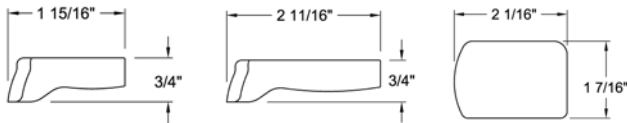


Top-Down and  
 Top-Down/Bottom-Up Shade

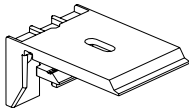


Accu-Rise Shade

**Headrail and Brackets**



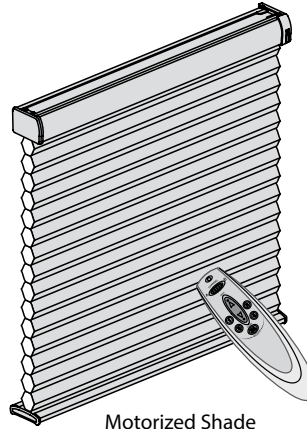
3/8" Cord Lock



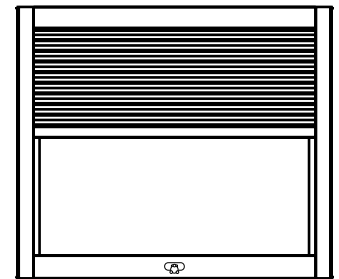
3/4" Cord Lock



3/4" and 3/8" Continuum  
 3/4" and 3/8" Accu-Rise Cordless



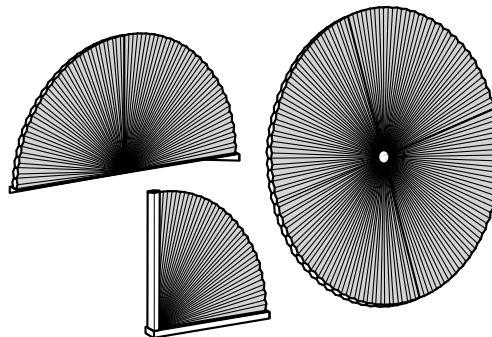
Motorized Shade



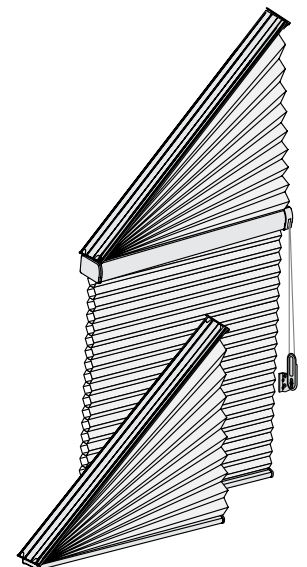
Skylite Shade



Left Stack Right Stack  
 Glissade Vertical Cellular



Arches and Circles



Angle Top and Angled Shades

Motorization is available.  
 See Motorization Overview.

