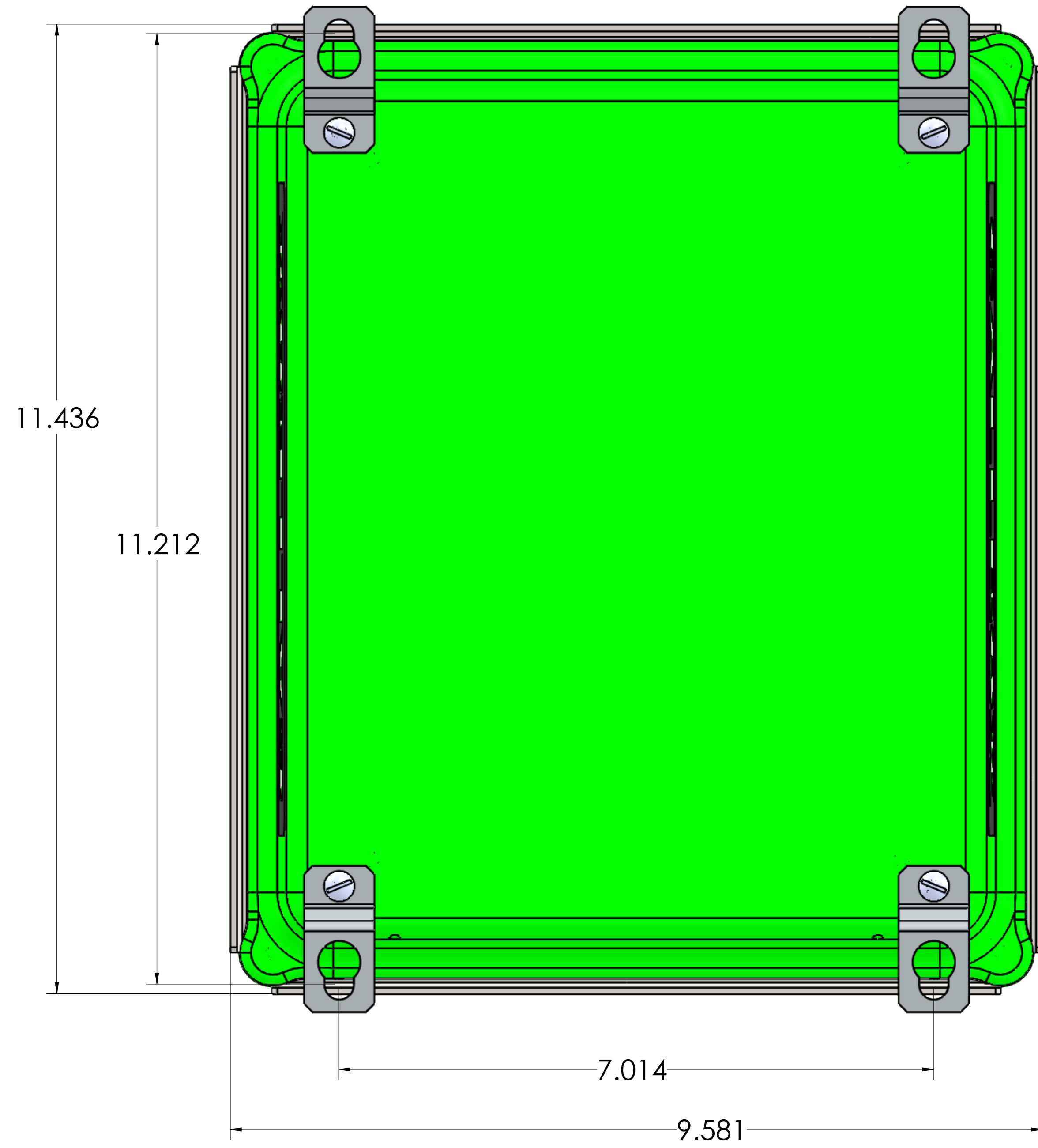


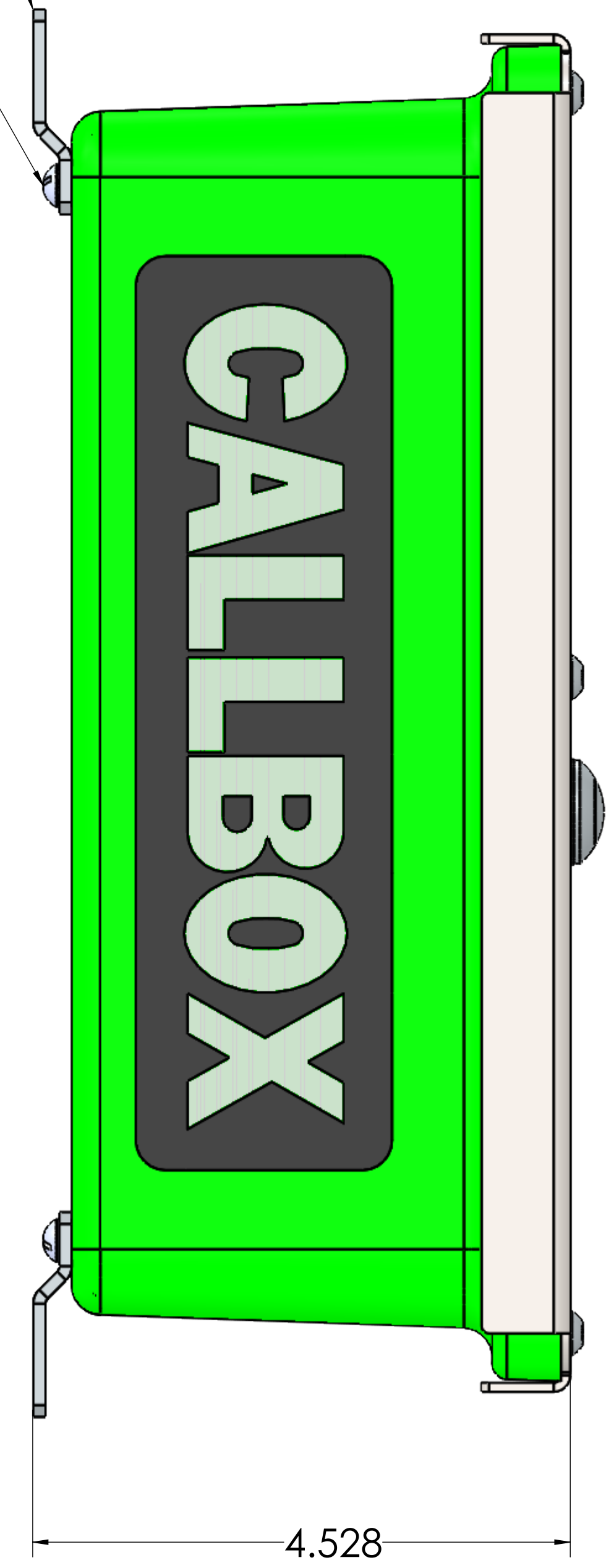
RQX-XT MOUNTING TAB
QTY 4 PER ASSEMBLY

#10-32 X .437 LONG
SLOTTED PAN HEAD SCREW
QTY 4 PER ASSEMBLY

REAR VIEW



SIDE VIEW



FRONT VIEW



FOR REFERENCE ONLY

REV	DESCRIPTION	DATE	ECN NO

TOLERANCES UNLESS OTHERWISE SPECIFIED

INCH TOLERANCES
 XX = ± .03
 XXX = ± .005
 ANGLES = ± 0° 30'

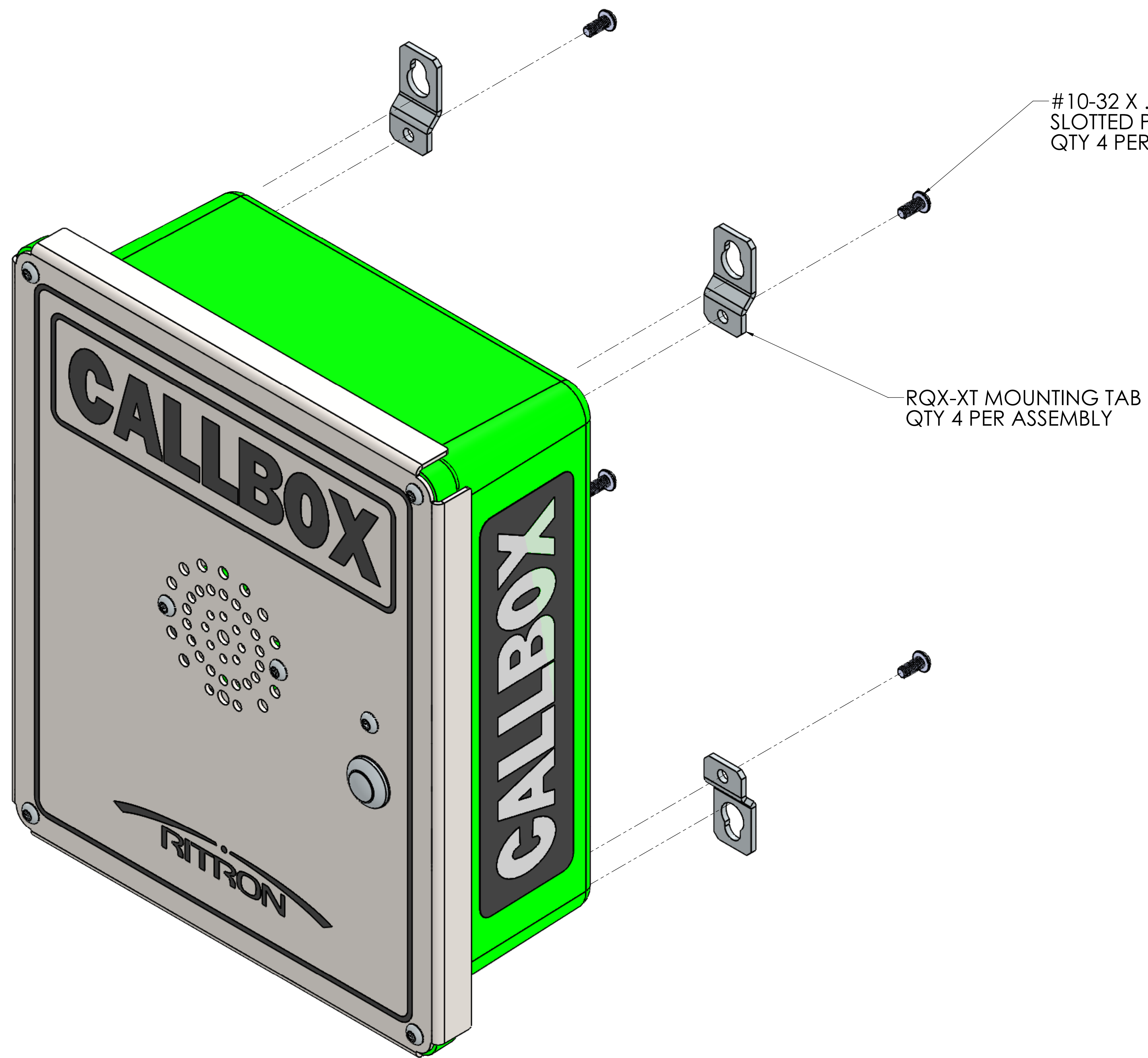
DEBURR HOLES AND SHARP EDGES
 GEOMETRIC DIMENSIONING & TOLERANCING PER ASME Y14.5M

- NOTICE -

This technical drawing is the property of Ritron and embodies a confidential proprietary design in which Ritron retains all patents, patents pending and other rights, including exclusive right of use, manufacture and sale. It is submitted under a CONFIDENTIAL relationship for a specific purpose and the recipient agrees, by accepting this drawing, not to supply or disclose any information regarding it to any unauthorized person. Nor may any portion of it be copied, exhibited or furnished to others, nor may photographs be taken of any article fabricated or assembled from this drawing without the consent of Ritron. This drawing must be returned on request.

- MATERIAL -	HARDNESS	DRAWN BY G.KING	DATE 1/13/2021	SCALE 1:1	SHEET 1 OF 2
	PART NAME / TITLE XT MOUNTING TABS INSTALLED				DRAWING UNITS INCH
	USED ON CALLBOX - XT				THIRD ANGLE PROJECTION
					STATUS PRODUCTION
					SIZE D
					REV
					DRAWING NO. XT MOUNTING TABS
					DO NOT SCALE DRAWING





#10-32 X .437 LONG
SLOTTED PAN HEAD SCREW
QTY 4 PER ASSEMBLY

RQX-XT MOUNTING TAB
QTY 4 PER ASSEMBLY

FOR REFERENCE ONLY

REV	DESCRIPTION	DATE	ECN NO

TOLERANCES UNLESS OTHERWISE SPECIFIED

INCH TOLERANCES
 XX = ± .03
 XXX = ± .005
 ANGLES = ± 0'30"

DEBURR HOLES AND SHARP EDGES
 GEOMETRIC DIMENSIONING & TOLERANCING PER ASME Y14.5M

- NOTICE -

This technical drawing is the property of Ritron and embodies a confidential proprietary design in which Ritron retains all patents, patents pending and other rights, including exclusive right of use, manufacture and sale. It is submitted under a CONFIDENTIAL relationship for a specific purpose and the recipient agrees, by accepting this drawing, not to supply or disclose any information regarding it to any unauthorized person. Nor may any portion of it be copied, exhibited or furnished to others, nor may photographs be taken of any article fabricated or assembled from this drawing without the consent of Ritron. This drawing must be returned on request.

- MATERIAL -	HARDNESS	DRAWN BY G.KING	DATE 1/13/2021	SCALE 1:1	SHEET 2 OF 2
	PART NAME / TITLE	XT MOUNTING TABS INSTALLED			DRAWING UNITS INCH
	USED ON	CALLBOX - XT			THIRD ANGLE PROJECTION
					STATUS PRODUCTION
					SIZE D
					REV.
DO NOT SCALE DRAWING					RITRON
					DRAWING NO. XT MOUNTING TABS